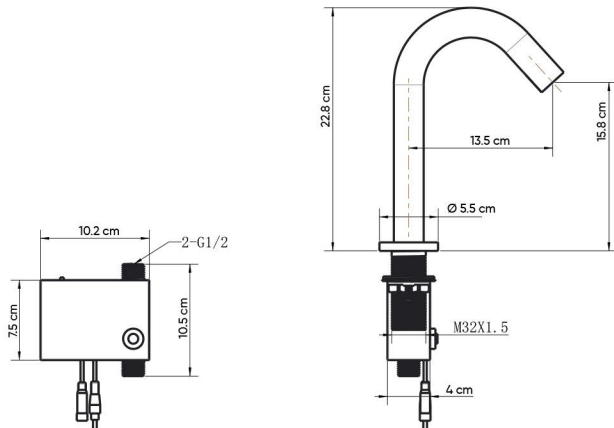


HATCH KITCHEN MIXERS

Product Name: SENSOR WASHBASIN SPOUT
Model Number: HAT-MX084



AVAILABLE COLORS

GLOSSY CHROME
SW-60198457

MATTE BLACK
SW-60198457



APPLICATIONS

Bathroom/Washroom/Kitchens

DESCRIPTIONS

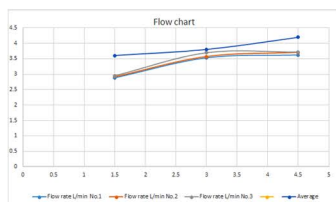
Material: Brass Main body and Spout; Nylon hoses
(BCC) Black chrome coating
 Packaging unit: 1 piece

DIMENSIONS

13.5 X 22.8 X 5.5 CM (M)

TECHNICAL SPECIFICATION

Mounting type: Exposed
 Average Flow rate: 3.87 L/min
 Maximum operating pressure: 15 bar
 Water consumption: Class A
 Spray Mode: Stream
 Water type: Cold only
 Sensor: (Yes) Adjustable sensor range from 5 to 14 cm
 Water inlet hose size: 120 cm
 Connection type: G 1/2 in connections
 Water outlet able to open for cleaning: Yes



BOX COMPONENTS

- Sensor Washbasin Spout
- Plastic (ABS) Control box built-in battery
- Water inlet Hose
- Sensor wire
- Filter Key
- (SUS 304) Screws
- Fischer wall plug set
- Brass mounting rings
- Installation Manual

COUNTRY OF ORIGIN

Made in China for HATCH Sanitary

WARRANTY

5 years for function
 2 years for surface



HATCH SANITARY

Hatch Sanitary is a trademark owned by MHG

Old Al Kharj Road, Building No. 3533
 Riyadh 14511 - 8305
 Kingdom of Saudi Arabia

© info.mhg@marketing-home.com

☎ 800 122 2230