

HATCH COUNTERTOP WASHBASIN MIXERS

Product Name: SINGLE LEVER WASHBASIN MIXER

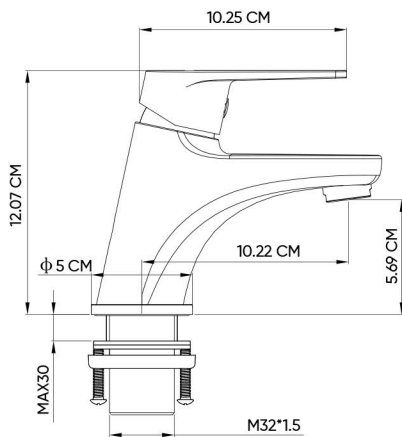
Model Number: HAT-MX087



FOR FUNCTION



FOR SURFACE



AVAILABLE COLORS



GLOSSY CHROME
SW-60198610



MATTE BLACK
SW-60198611



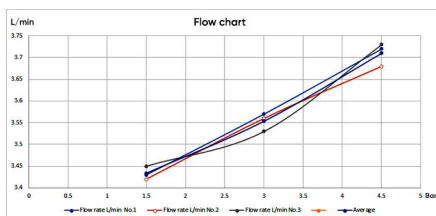
BRUSHED NICKEL
SW-60198612

DESCRIPTIONS

Material: Main body : Brass, Accessories material: Nylon hose with brass nuts
(BCC) Black chrome coating
Packaging unit: 1 piece
Shape: Round

TECHNICAL SPECIFICATION

Average Flow rate: 3.80 L/min
Maximum operating pressure: 15 bar
Water consumption: Class A
Mounting type: Countertop
Hose connection size: G ½ in
Hose length: 60 cm
Spout length: 14 cm
Ceramic cartridge: (Yes) 35 mm
Water outlet able to open for cleaning: Yes



DIMENSIONS

10.25 x 12.07 x 5.69 CM (S)

APPLICATIONS

Bathroom/ Washroom

BOX COMPONENTS

- Single Lever Mixer
- 2 Hoses (Hot & Cold) 60 cm
- Fixing set
- (SUS 304) Screws
- Allen key
- Installation manual

COUNTRY OF ORIGIN

Made in China for HATCH Sanitary

WARRANTY

5 years for function
2 years for surface



hatch-products.com

HATCH SANITARY

Hatch Sanitary is a trademark owned by MHG

Old Al Kharj Road, Building No. 3533
Riyadh 14511 - 8305
Kingdom of Saudi Arabia

© info.mhg@marketing-home.com

☎ 800 122 2230