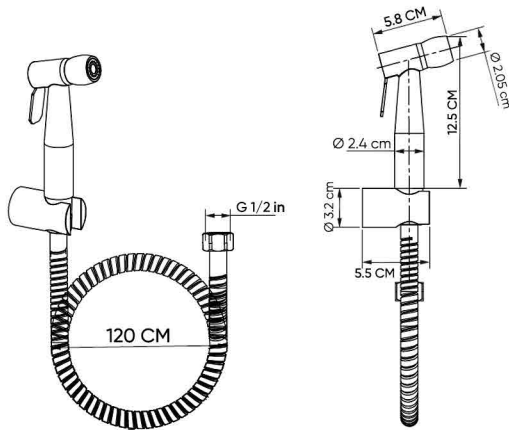



HATCH ACCESSORIES

Product Name: SHATTAF SET
Model Number: HAT-WG005




AVAILABLE COLORS

 GLOSSY CHROME
SW01330241

 MATTE BLACK
SW01330242

 BRUSHED NICKEL
SW01330243

 GLOSSY GOLD
SW01330244

 BRUSHED GOLD
SW01330245

 BLACK TITANIUM
SW01330246

MATERIALS

Material: Stainless steel (SUS 304) Shattaf Head and Bracket
 Hose Material: Stainless steel (SUS 304), with Inner Tube Nylon Braided & EPDM inner layer

DIMENSIONS

5.8 x 12.5 x 120 CM

TECHNICAL SPECIFICATION

Average Flow rate: 6.22 L/min
 Maximum operating pressure: 15 bar
 Water consumption: Class A
 Spray mode: Jet mode
 Installation type: Exposed
 Hose length: 120 cm
 Hose connection size: G ½ in
 On and Off function: Yes
 Flow regulator: Yes
 Water filter head removable: Yes (Easy to clean)

APPLICATIONS

Bathroom

BOX COMPONENTS

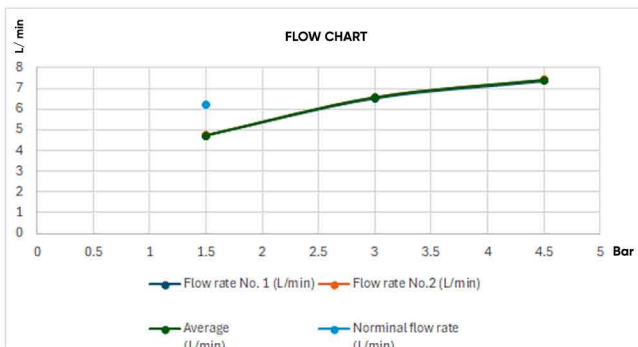
- Shattaf Head
- Holder
- Teflon
- Rubber Gasket filter
- Fischer wall plug set
- (SUS 304) hose
- (SUS 304) screws
- Flow regulator

COUNTRY OF ORIGIN

Made in China for HATCH Sanitary

WARRANTY

2 years



HATCH SANITARY

Hatch Sanitary is a trademark owned by MHG

Old Al Kharj Road, Building No. 3533
 Riyadh 14511 - 8305
 Kingdom of Saudi Arabia

© info.mhg@marketing-home.com

☎ 800 122 2230